

**M0002796: Pedigree chart representing hereditary colour blindness /
M0002796EB: Diagram showing "Inheritance of Achondroplasia"**

Publication/Creation

28 January 1932

Persistent URL

<https://wellcomecollection.org/works/w888243w>

License and attribution

Conditions of use: it is possible this item is protected by copyright and/or related rights. You are free to use this item in any way that is permitted by the copyright and related rights legislation that applies to your use. For other uses you need to obtain permission from the rights-holder(s).



Wellcome Collection
183 Euston Road
London NW1 2BE UK
T +44 (0)20 7611 8722
E library@wellcomecollection.org
<https://wellcomecollection.org>

COLOUR-BLINDNESS.

Numerous pedigrees of colour-blindness are now on record. Red-green colour-blindness is generally inherited as a typical male-sex-linked character, recessive in the female, due to a gene in the X chromosome.

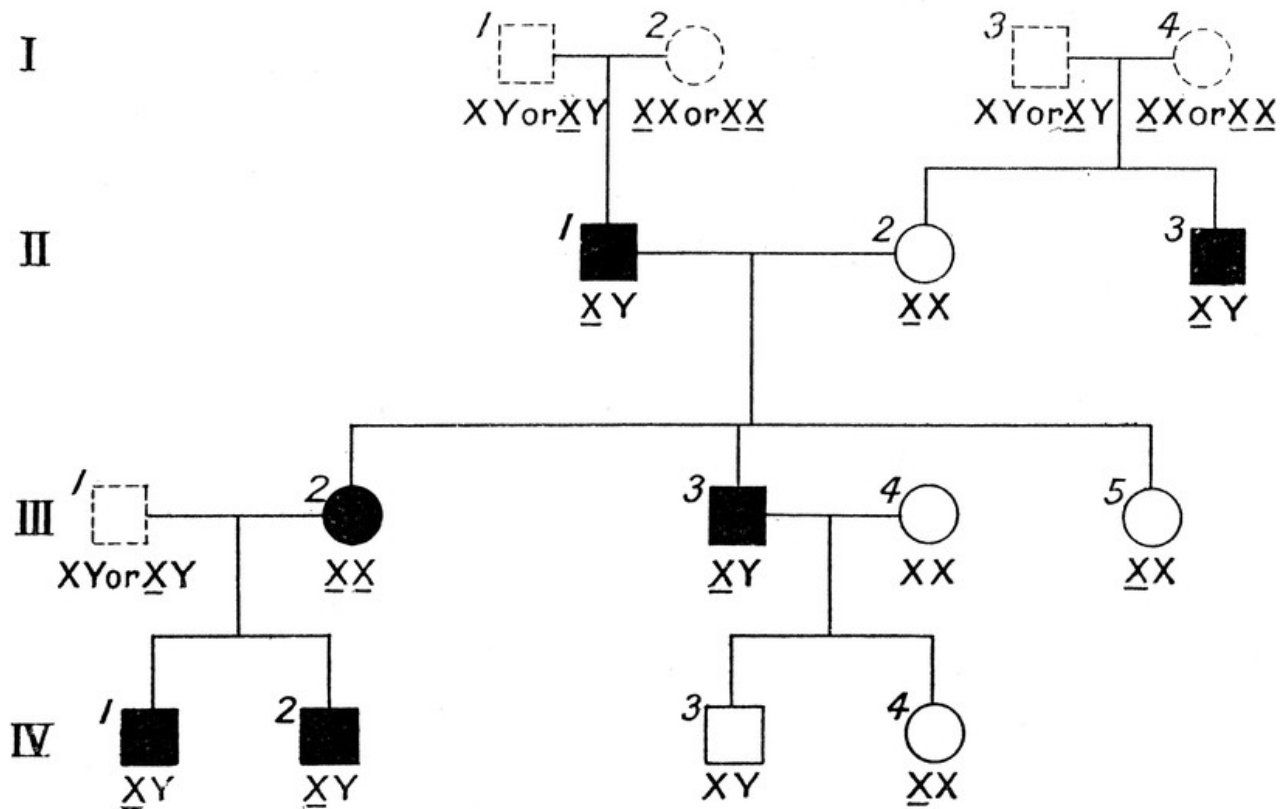
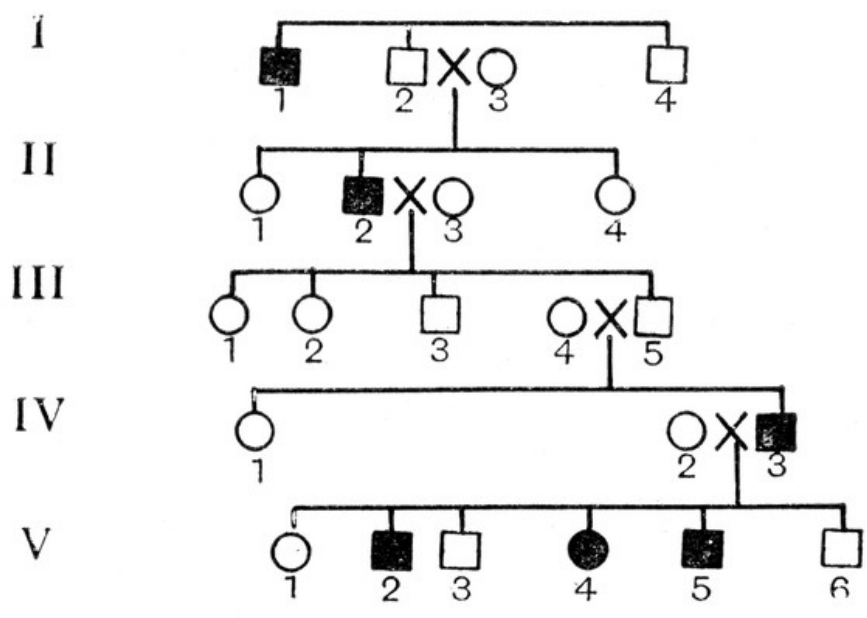


FIG. 21.—PEDIGREE CHART OF COLOUR-BLINDNESS.



I I.—INHERITANCE OF ACHONDROPLASIA. (After Bangson.)