

A universal clip or fastener for crutch handles, stretchers, tools, tent poles, hooks, lamps, and handles, applicable also for joining lengths of poles, rods, tubes, and the like / [Ernest Augustus Barber Beaumont].

Contributors

Beaumont, Ernest Augustus Barber.
Abel & Imray.

Publication/Creation

London : Printed for Her Majesty's Stationery Office by Darling and Son, Ltd, 1893.

Persistent URL

<https://wellcomecollection.org/works/xqpabcrw>

License and attribution

This work has been identified as being free of known restrictions under copyright law, including all related and neighbouring rights and is being made available under the Creative Commons, Public Domain Mark.

You can copy, modify, distribute and perform the work, even for commercial purposes, without asking permission.

**wellcome
collection**

Wellcome Collection
183 Euston Road
London NW1 2BE UK
T +44 (0)20 7611 8722
E library@wellcomecollection.org
<https://wellcomecollection.org>



Date of Application, 13th July, 1892

Complete Specification Left, 13th Apr., 1893—Accepted 13th May, 1893

PROVISIONAL SPECIFICATION.

A Universal Clip or Fastener for Crutch Handles, Stretchers, Tools, Tent Poles, Hooks, Lamps, and Handles, applicable also for Joining Lengths of Poles, Rods, Tubes, and the like.

I, ERNEST AUGUSTUS BARBER BEAUMONT, of No. 49 Pall Mall, in the County of London, Retired Army Officer, do hereby declare the nature of this invention to be as follows:—

My invention relates to the construction of a clip or fastener which can be used for fixing a handle such, for example, as that of a crutch at any part of the stick, or for fixing other appliances to poles, rods, tubes and the like or for joining two lengths of rod, pole or tube.

For securing the handle to a crutch, I place on the stick a tubular socket longitudinally split along one side, and having at each side of the split a projecting rib of half dovetail section somewhat tapered lengthwise. The handle is made with a dovetail recess of equivalent taper so that when it is pushed on to the dovetail projections of the split socket, it wedges them closely together causing the socket to clamp the stick firmly, the handle being thus secured at any part of the stick where the socket is applied. Hooks or other appliances besides handles may be thus fixed on rods, poles or tubes; and, in like manner, two lengths of rods, poles or tubes may be fixed together by enclosing their ends in a socket of the kind described, and forcing on its projecting ribs a key made with a dovetail recess to fit them. The tubular socket may be lightened by making it with more or less of its back left open, retaining however at each end a ring connected to the dovetail ribs in front. The socket may be hinged at the back so that it can be put on a rod, pole or tube without being passed over the end.

Dated this 13th day of July 1892.

ABEL & IMRAY,
Agents for the Applicant.

COMPLETE SPECIFICATION.

A Universal Clip or Fastener for Crutch Handles, Stretchers, Tools, Tent Poles, Hooks, Lamps, and Handles, applicable also for Joining Lengths of Poles, Rods, Tubes, and the like.

I, ERNEST AUGUSTUS BARBER BEAUMONT, of No. 49 Pall Mall, in the County of London, Retired Army Officer, do hereby declare the nature of this invention and in what manner the same is to be performed, to be particularly described and ascertained in and by the following statement, that is to say:—

My invention relates to the construction of a clip or fastener which can be used for fixing a handle such, for example, as that of a crutch, at any part of the stick, or for fixing other appliances to poles, rods, tubes and the like or for joining together two lengths of rod, pole or tube. And in order that my said invention may be fully understood I will now proceed to describe the same with the aid of the accompanying sheet of drawings in which Figure 1 is an elevation and Figure 2 a sectional plan taken on line X X of Figure 1 of one of my clips or fasteners applied to a crutch handle.

A is the stick of the crutch, B is a tubular socket longitudinally split along one side as at E and having at each side of the split a projecting rib F of half dovetail section somewhat tapered lengthwise. The handle G is made with a dovetail recess H of equivalent taper so that when it is pushed on to the dovetail

[Price 8s.]

Beaumont's Universal Clip or Fastener for Crutch Handles, Stretchers, Tools, &c.

projecting ribs of the split socket it wedges them closer together causing the the socket B to clamp the stick firmly, the handle G being thus secured at any part of the stick where the socket is applied. In Figures 1 and 2 the socket B is shown with its back left open leaving however at each end a ring B¹ connected to the part carrying the dovetail ribs in front; this is done for the sake of making 5 the socket as light as possible, as is desirable in the case of a crutch, but in many other cases, where weight is not of importance, the socket may be made continuous from end to end instead of being left open at the back.

Hooks or other appliances besides handles may be thus fixed on rods, poles or tubes; and, in like manner, two lengths of rods, poles or tubes may be fixed 10 together by enclosing their ends in the socket of such a clip and forcing on the projecting dovetail ribs of the socket a key or clamp of any suitable form made with a dovetail recess to fit them.

The socket may be made in two parts hinged together at the back, as shown at I in Figure 3, so that it can be opened and put on a rod, pole, or tube, without being 15 passed over the end; and in some cases the hinge may be formed with half dovetail tapered ribs shown in dotted lines at F¹ similar to those shown at the front of the socket and any article provided with a dovetail recess adapted to fit over the said ribs may be thereby attached to the socket. For example, in the case of a tent pole, one article may be hung or attached to it by the front dovetail ribs F, whereby 20 the clip or fastener is caused to clamp the pole firmly, while another article may be hung or attached to the back dovetail ribs F¹ which thus serve not only as a means of support for the said article but as an additional means of clamping the clip on the pole, and relieving the strain on the hinge.

Having now particularly described and ascertained the nature of my said inven- 25 tion, and in what manner the same is to be performed, I declare that what I claim is:—

The clip or fastener consisting of a split socket having, at each side of the split, a projecting rib of half dovetail section tapered lengthwise, and a key or clamp 30 made with a dovetail tapered recess corresponding to the shape of the said dovetail ribs for the purpose of clamping the socket to the object to which it is to be attached substantially as hereinbefore described, and illustrated in the drawings.

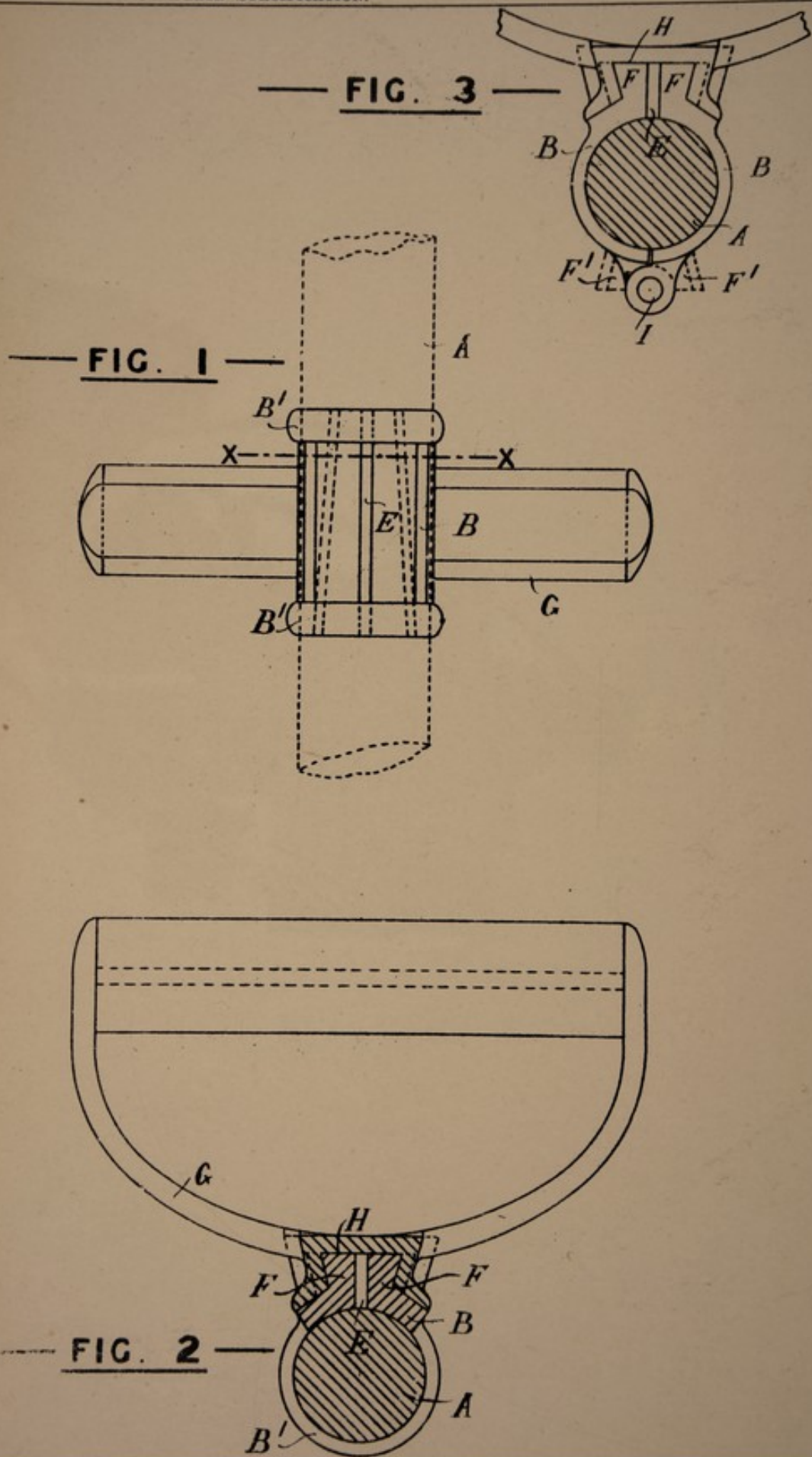
Dated this 13th day of April 1893.

E. A. B. BEAUMONT, 35

Per W. H. Beck,
115, Cannon Street, London, E.C., Agent.

London: Printed for Her Majesty's Stationery Office, by Darling & Son, Ltd.—1893





[This Drawing is a reproduction of the Original on a reduced scale]

